

## Pacific II

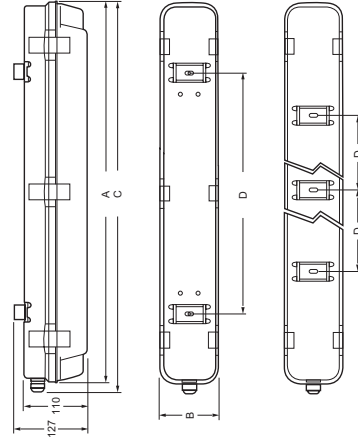
Functional impact-, dust- and jetproof luminaire for single and twin TL-D and TL-5 fluorescent lamps for indoor and semi-outdoor applications. The housing and cover of TCW097 are made of high quality poly-carbonate which has an excellent impact resistant property. The cover has anti-UV additives which bring additional performance levels to UV protection. Available with conventional or high-frequency electronic control gears. Can be ceiling mounted or suspended. Equipped with mounting brackets, mounting is made easy via screws without drilling into the luminaire housing. Gear tray and metal toggles are re-installed; cable gland and mounting brackets are delivered with the luminaire.



Pacific II TCW097

Type	TCW097
Features	Dust-and moisture-proof, impact resistant Anti-UV function cover effective from wavelength 240nm to 370nm Specially designedoggles protect against dust and water ingress Easy installation and maintenance using toggles and stainless steel mounting brackets Luminaire is integrated and prewired with control gear
Light source	Fluorescent: 1 x or 2 x MASTER TLD / G13 / 18, 36, 58 W 1 x or 2 x MASTER TLS / G5 / 14, 28, 35 W
Lamp included	No
Gear	Electronic, 220 - 240 V / 50 - 60 Hz High Frequency Standard (HFA) EB-Primalume (EBP) EB-Selectalume (EBS) Electro magnetic (low loss), 220 or 240V / 50Hz Inductive (I) Inductive, parallel compensated (IC)

Materials and finish	Housing: polycarbonate (PC) Cover: clear poly-carbonate (PC) Toggles: stainless steel Mounting bracket: stainless steel
Installation	Electrical connection through the provided cable gland (PG13.5) Method: surface mount or suspension (with provided mounting bracket) Integrated and prewired with control gear
Classifications	IP65 Class I Complies with IEC 598
Main applications	General industry, food & beverage industry, dusty areas, wet & moist areas, car parks, storage areas



Type	A (mm)	B (mm)	C (mm)	D (mm)
TCW097 1x18W	660	100	676	417
TCW097 1x18W	660	100	676	417
TCW097 1x28W	1270	100	1276	880
TCW097 1x35W	1570	100	1586	590
TCW097 1x36W	1270	100	1276	880
TCW097 1x58W	1570	100	1586	590
TCW097 2x18W	660	150	676	417
TCW097 2x18W	660	150	676	417
TCW097 2x28W	1270	150	1276	880
TCW097 2x35W	1570	150	1586	590
TCW097 2x36W	1270	150	1276	880
TCW097 2x58W	1570	150	1586	590



Pacific II TCW097

**Preferred selection**

Product ID	Weight (kg)	Order Code
TCW097 1x18W TL-D EBS 220-230V 50/60Hz	1.40	911400866680
TCW097 1x18W TL-D EBS 220-230V 50/60HZ	1.30	910403630016
TCW097 1x36W TL-D EBS 220-230V 50/60Hz	2.22	911400866780
TCW097 1x36W TL-D EBS 220-230V 50/60HZ	2.20	910403630018
TCW097 1x58W TL-D EBP	4.80	910403630013
TCW097 1x58W TL-D EBP	4.80	910403630014
TCW097 1xTL5-14W EBP	1.60	911400866180
TCW097 1xTL5-14W EBP	1.30	910403630020
TCW097 1xTL5-28W EBP	2.22	911400866080
TCW097 1xTL5-28W EBP	2.20	910403630022
TCW097 1xTL5-35W EBP	3.58	911400866480
TCW097 1xTL5-35W EBP	3.80	910403630024
TCW097 1X14W HFA	1.26	910401983480
TCW097 1x14W HFA Anti-UV+stainless BK	1.26	910403353080
TCW097 1x14W TL5 EBE	1.26	910403358480
TCW097 1x18W I	1.26	910401983880
TCW097 1x18W I Anti-UV+stainless BK	1.26	910403353180
TCW097 1X18W IC	1.26	910401984080
TCW097 1X18W IC 240V/50Hz E	1.26	911400455780
TCW097 1x18W IC Anti-UV+stainless BK	1.26	910403353780
TCW097 1x18W TL EBE 220V 50Hz	1.26	911400607480
TCW097 1x18W TL-D I LW-BI	1.26	910403325080
TCW097 1x18W TL-D IC LW-BI	1.26	910403325480
TCW097 1X28W HFA	2.22	910401984280
TCW097 1x28W HFA Anti-UV+stainless BK	2.22	910403353280
TCW097 1x28W TL5 EBE	2.22	910403358580
TCW097 1X35W HFA	3.58	910401984480
TCW097 1x35W HFA Anti-UV+stainless BK	3.58	910403353480
TCW097 1X36W I	2.22	910401984880
TCW097 1x36W I Anti-UV+stainless BK	2.22	910403353980
TCW097 1X36W IC	2.22	910403320080
TCW097 1X36W IC 240V/50Hz E	2.22	911400456280
TCW097 1x36W IC Anti-UV+stainless BK	2.22	910403354080
TCW097 1x36W TL-D EBE 220V 50Hz	2.22	911400607280
TCW097 1x36W TL-D I LW-BI	2.22	910403325180
TCW097 1x36W TL-D IC LW-BI	2.22	910403325580
TCW097 1X58W I	3.58	910403320480
TCW097 1x58W I Anti-UV+stainless BK	3.58	910403354280
TCW097 1X58W IC	3.58	910403320680
TCW097 1x58W IC Anti-UV+stainless BK	3.58	910403354380

Please contact your local Philips representative for additional configurations

**Preferred selection**

Product ID	Weight (kg)	Order Code
TCW097 2x14W TL5 EBP	2.00	911400866280
TCW097 2x14W TL5 EBP	1.70	910403630021
TCW097 2x18W TL-D EBP	2.00	911400867080
TCW097 2x18W TL-D EBS 220-230V 50/60Hz	2.00	911400866880
TCW097 2x18W TL-D EBS 220-230V 50/60HZ	1.30	910403630017
TCW097 2x28W TL5 EBP	3.50	911400866380
TCW097 2x28W TL5 EBP	3.60	910403630023
TCW097 2x35W TL5 EBP	4.20	911400866580
TCW097 2x35W TL5 EBP	5.60	910403630025
TCW097 2x36W TL-D EBP	3.40	911400867180
TCW097 2x36W TL-D EBS 220-230V 50/60Hz	3.40	911400866980
TCW097 2x36W TL-D EBS 220-230V 50/60HZ	3.60	910403630019
TCW097 2x58W TL-D EBP	5.60	910403630012
TCW097 2x58W TL-D EBP	5.60	910403630015
TCW097 2X14W HFA	1.50	910403320880
TCW097 2x14W HFA Anti-UV+stainless BK	1.50	910403353580
TCW097 2x14W TL5 EBE	1.50	910403358680
TCW097 2X18W I	1.50	910403321280
TCW097 2x18W I Anti-UV+stainless BK	1.50	910403352280
TCW097 2X18W IC	1.50	910403321480
TCW097 2X18W IC 240V/50Hz E	1.50	911400456980
TCW097 2x18W IC Anti-UV+stainless BK	1.50	910403352380
TCW097 2x18W TL-D EBE 220V 50Hz	1.50	911400607580
TCW097 2x18W TL-D I LW-BI	1.50	910403325280
TCW097 2x18W TL-D IC LW-BI	1.50	910403325680
TCW097 2X28W HFA	3.22	910403321680
TCW097 2x28W HFA Anti-UV+stainless BK	3.22	910403353380
TCW097 2x28W TL5 EBE	3.22	910403358780
TCW097 2X35W HFA	5.58	910403321880
TCW097 2x35W HFA Anti-UV+stainless BK	5.58	910403353680
TCW097 2X36W I	3.22	910403322380
TCW097 2x36W I Anti-UV+stainless BK	3.22	910403352580
TCW097 2X36W IC	3.22	910403322480
TCW097 2X36W IC 240V/50Hz E	3.22	911400457480
TCW097 2x36W IC Anti-UV+stainless BK	3.22	910403352680
TCW097 2x36W TL-D EBE 220V 50Hz	3.22	911400607380
TCW097 2x36W TL-D I LW-BI	3.22	910403325380
TCW097 2x36W TL-D IC LW-BI	3.22	910403325780
TCW097 2X58W I	5.58	910403322880
TCW097 2x58W I Anti-UV+stainless BK	5.58	910403352880
TCW097 2X58W IC	5.58	910403323080
TCW097 2x58W IC Anti-UV+stainless BK	5.58	910403352980

Please contact your local Philips representative for additional configurations